

Speaker

Model: OSS20-3714-10A2.0W8-W



ELECTRICAL SPECIFICATIONS

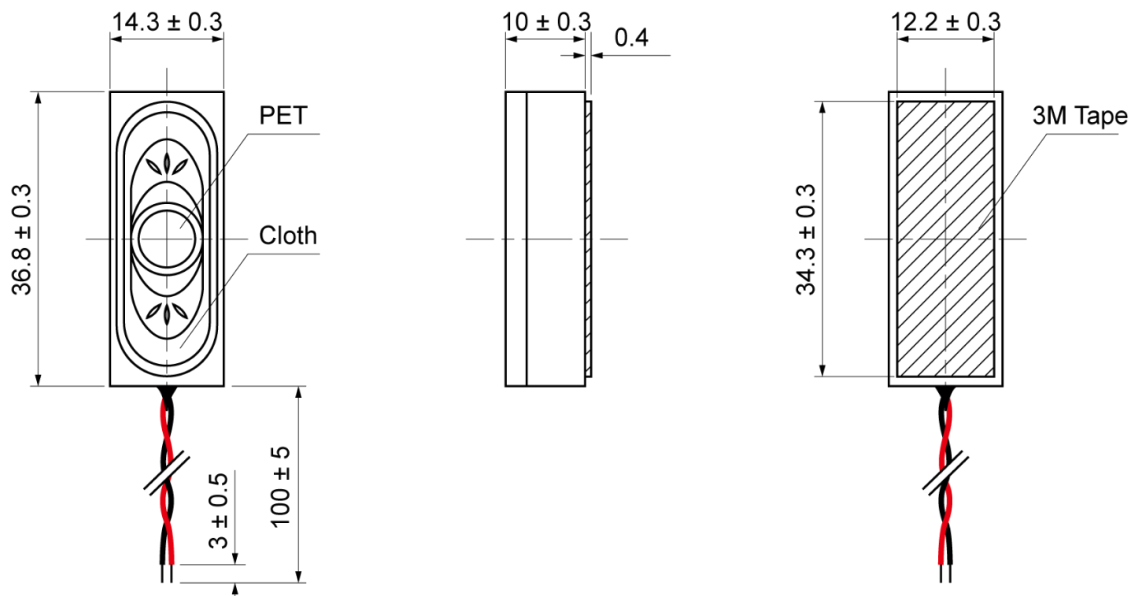
	Condition	Parameter	Unit
Sound Pressure Level	at 0.1W, 0.1M [at 0.8, 1.0, 1.2, 1.5KHz]	84 ± 3	dB
Impedance	at 1V, 1000Hz	8 ± 15%	Ω
Rated Input Power		2	W
Max Input Power		2.5	W
Resonant Frequency (Fo)	at 1V	1700 ± 20%	Hz
Frequency Range		F0 ~ 6000	Hz
Buzzer & Rattles	not be audible at sine wave between F0 ~ 5KHz	4	V
Operating Temperature		-20 ~ 60	°C
Magnet		Nd-Fe-B	
Frame Material		ABS	
Cone Material		Cloth	
Weight		6.6	g

MECHANICAL DRAWING

Dimensions in mm

Wire: 100mm, UL1571, #28AWG

Tolerance ±0.5mm Except Specified



Speaker

Model: OSS20-3714-10A2.0W8-W

FREQUENCY RESPONSE CURVE

